



# AN005: Wiring One Countryman Microphone to Two Transmitters

*Abstract: This application note outlines a method for sending the signal from a single Countryman E6 or B6 to two transmitters. This technique can be useful for frequency diversity in crowded RF environments where a single transmitter might experience dropouts. As shown here transmitter TX 1 provides the power for the microphone and must remain on.*

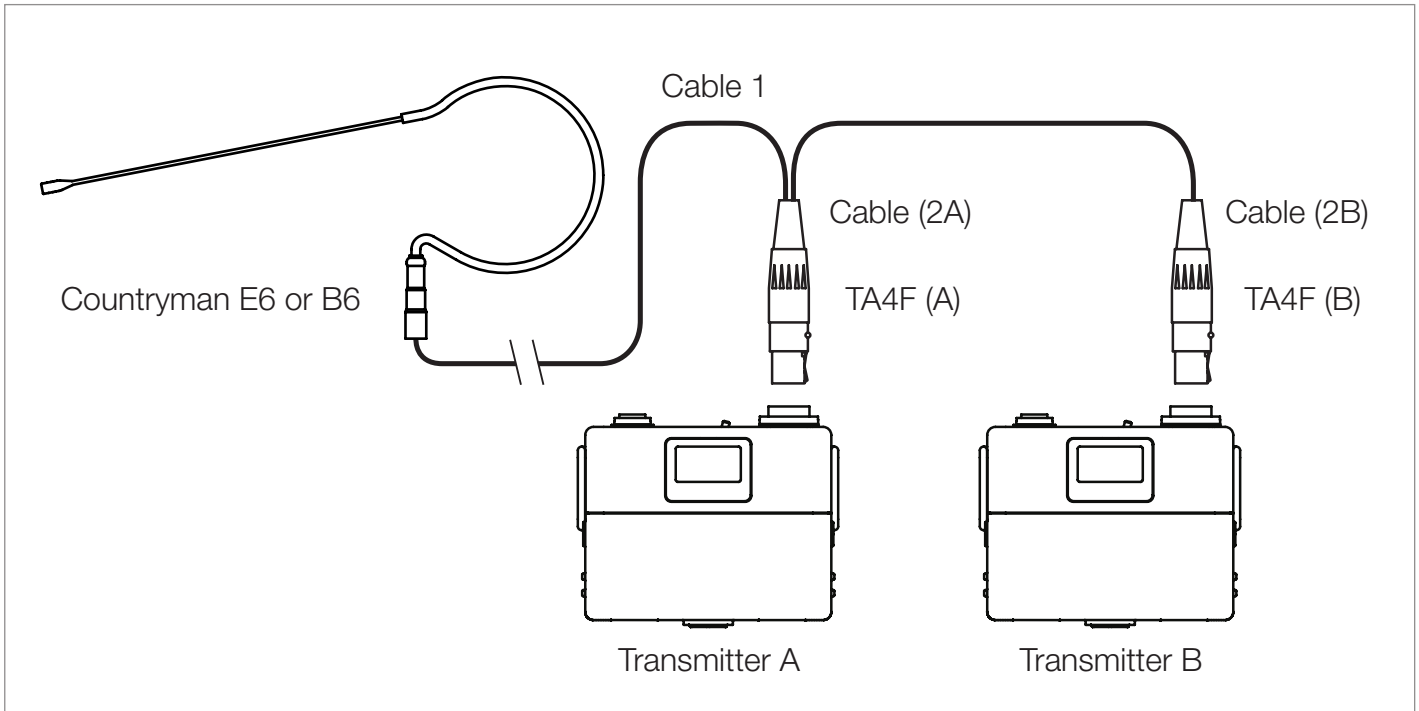


Figure 1: Physical diagram of a single E6 or B6 microphone connected to two transmitters.

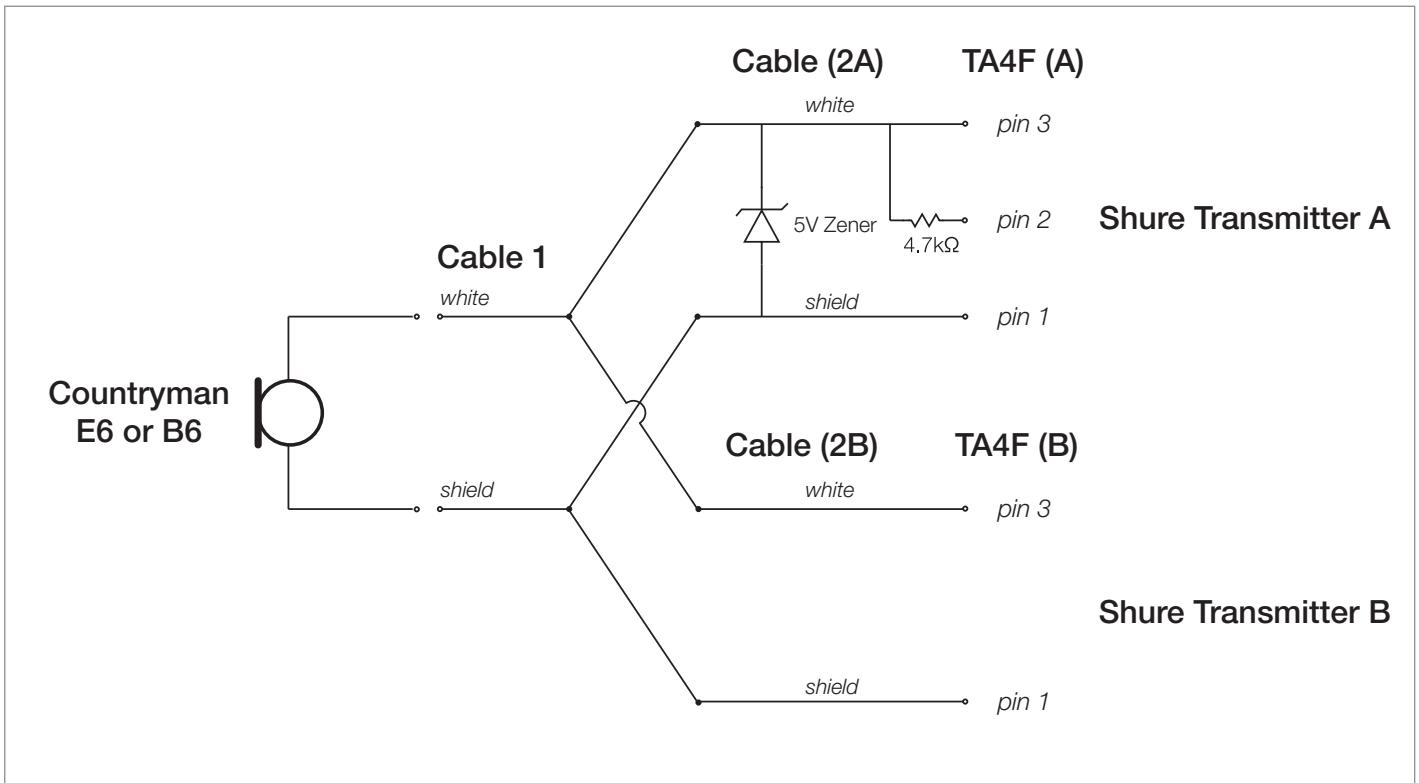


Figure 2: Example electrical diagram of a single E6 or B6 microphone connected to two Shure transmitters.